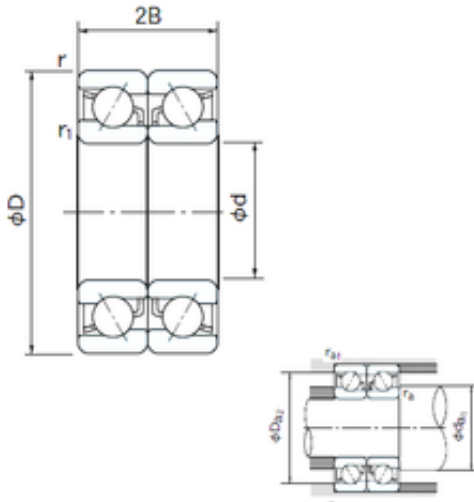




DRIVESHAFT ANDERSON, INC.

80 mm x 140 mm x 26 mm NACHI 7216DB
angular contact ball bearings



Bearing No. 7216DB

7216DB Bearing 2D drawings and 3D CAD models

Size	80x140x26 mm
Bore Diameter	80 mm
Outer Diameter	140 mm
Width	26 mm
d	80 mm
D	140 mm
B	26 mm
C	26 mm
Angle (°)	30 °
a	18.8 mm
r min.	2 mm
r1 min.	1 mm
2B	52 mm
da min.	86 mm
Da max.	134 mm
ra max.	1 mm
Weight	1.50 Kg
Basic dynamic load rating (C)	145 kN
Basic static load rating (C0)	153 kN
(Grease) Lubrication Speed	3200 r/min
Bore Type	Cylindrical Bore
Enclosure	Open
Configuration	Duplex
Bore Size	80 mm
Outside Diameter	140 mm



DRIVESHAFT ANDERSON, INC.

Width	26 mm
Fillet Radius/Chamfer	2 mm
r1	1 mm
Dynamic Load Rating	145,000 N
Static Load Rating	153,000 N
Limiting Speed - Grease	3,200 rpm
Limiting Speed - Oil	4,300 rpm
da1 (min)	90 mm
da2 (min)	86 mm
Da1 (max)	130 mm
Da2 (max)	134 mm
ra (max)	2 mm
ra1 (max)	1 mm