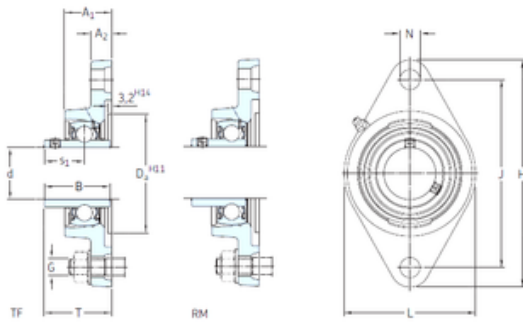




DRIVESHAFT ANDERSON, INC.

SKF FYT 1.15/16 TF bearing units



Bearing No. FYT 1.15/16 TF

Bore Diameter	49,213 mm
Width	51,6 mm
d	49,213 mm
s1	32,6 mm
A1	43 mm
B	51,6 mm
G	14 mm
H	189 mm
J	157,2 mm
L	116 mm
N	15,9 mm
T	60,6 mm
A2	15 mm
Weight	2,25 Kg
Basic dynamic load rating (C)	35,1 kN
Basic static load rating (C0)	23,2 kN
Fatigue load limit (Pu)	0,98
Category	Flange Block Bearings
Inventory	0.0
Manufacturer Name	SKF
Minimum Buy Quantity	N/A
Weight / Kilogram	2.32
Product Group	M06110
Number of Mounting Holes	2
Mounting Method	Set Screw
Housing Style	2 Bolt Flange Block

FYT 1.15/16 TF Bearing 2D drawings and 3D CAD models



DRIVESHAFT ANDERSON, INC.

Rolling Element	Ball Bearing
Housing Material	Cast Iron
Expansion / Non-expansion	Non-expansion
Mounting Bolts	9/16 Inch
Relubricatable	Yes
Insert Part Number	YAR 210-115-2F
Seals	M Seal
Housing Configuration	1 Piece Solid
Pilot Configuration	No Pilot
Inch - Metric	Inch
Long Description	2 Bolt Flange Block; 1-15/16" Bore; 6.2" Bolt Circle; 6-3/16" Bolt Spacing; 1 Piece Solid; Set Screw Mount; Cast Iron; Ball Bearing; 2-1/32" Length Thru Bore; Relubricatable; M Sea
Other Features	Single Row Standard Duty Wide Inner Race Open End Has Flinger Y Bearing
Category	Flange Block
UNSPSC	31171501
Harmonized Tariff Code	8483.20.40.40
Noun	Bearing
Keyword String	Flanged
Manufacturer URL	http://www.skf.com
Manufacturer Item Number	FYT 1.15/16 TF
Weight / LBS	5.1
Bolt Spacing	6.188 Inch 157.175 Millimeter
Cartridge Pilot Diameter	0 Inch 0 Millimeter
Length Thru Bore	2.031 Inch 51.6 Millimeter
Nominal Bolt Circle Diameter Round	6.2 Inch 157 Millimeter



DRIVESHAFT ANDERSON, INC.

Cartridge Pilot Depth	0 Inch 0 Millimeter
Bore	1.938 Inch 49.225 Millimeter