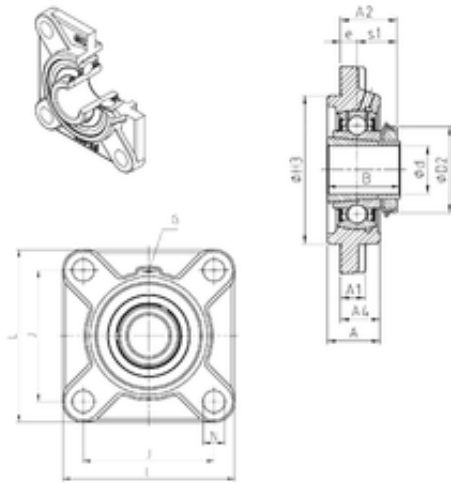




DRIVESHAFT ANDERSON, INC.



SNR UKFS310H bearing units

Bearing No. UKFS310H

Bore Diameter	45 mm
d	45 mm
H3	140 mm
A4	36 mm
e	16 mm
s1	32 mm
A	48 mm
A1	19 mm
B	55 mm
D2	70 mm
J	132 mm
L	175 mm
N	23 mm
Thread (G)	M6x1
A2	48 mm
Weight	5 Kg
Basic dynamic load rating (C)	62 kN

UKFS310H Bearing 2D drawings and 3D CAD models