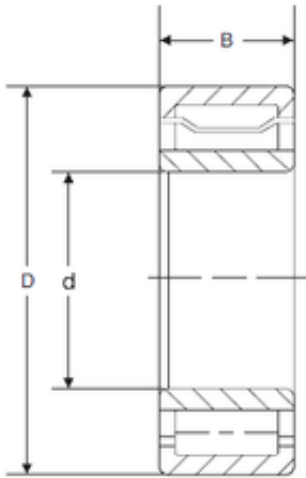




DRIVESHAFT ANDERSON, INC.



55 mm x 120 mm x 49,2125 mm SIGMA A 5311
WB cylindrical roller bearings

Bearing No. A 5311 WB

Size	55x120x49.2125 mm
Bore Diameter	55 mm
Outer Diameter	120 mm
Width	49,2125 mm
d	55 mm
D	120 mm
B	49,2125 mm
C	49,2125 mm

A 5311 WB Bearing 2D drawings and 3D CAD models