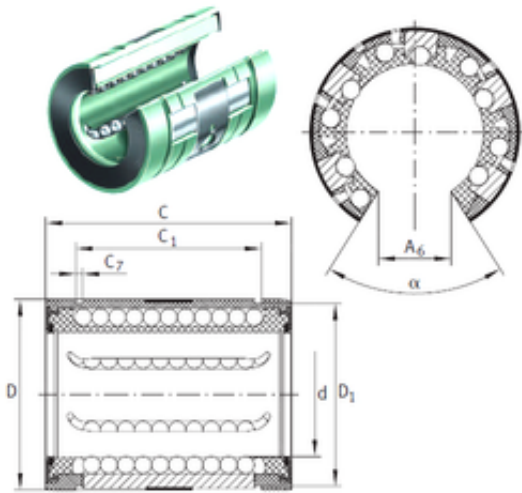




# DRIVESHAFT ANDERSON, INC.

## INA KNO 16 B-PP linear bearings

Bearing No. KNO 16 B-PP



KNO 16 B-PP Bearing 2D drawings and 3D CAD models

Size	16x26x36 mm
Bore Diameter	16 mm
Outer Diameter	26 mm
Width	36 mm
d	16 mm
D	26 mm
C	36 mm
A6	9 mm
H9	0,7 mm
K4	3 mm
b1	1,5 mm
Angle	68 °