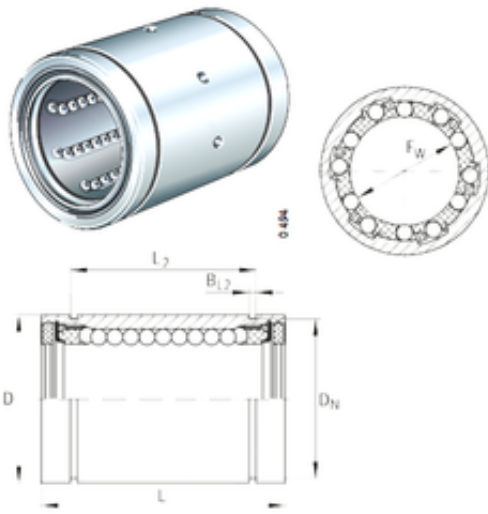




DRIVESHAFT ANDERSON, INC.

INA KBS25-PP linear bearings

Bearing No. KBS25-PP



KBS25-PP Bearing 2D drawings and 3D CAD models

Bore Diameter	25 mm
Outer Diameter	40 mm
Fw	25 mm
D	40 mm
Dn	37,5 mm
L2	43,7 mm
B3	1 mm
N2	2,5 mm
L	58 mm
BL2	1,85 mm
Angle (X)	62
Weight	0,19 Kg
Basic dynamic load rating (C)	2,95 kN