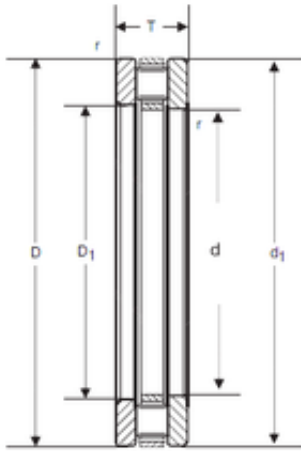




DRIVESHAFT ANDERSON, INC.

SIGMA 81114 thrust roller bearings



Bearing No. 81114

Size	70x95x18 mm
Bore Diameter	70 mm
Outer Diameter	95 mm
Width	18 mm
d	70 mm
D	95 mm
T	18 mm
d1	95 mm
D1	72 mm

81114 Bearing 2D drawings and 3D CAD models