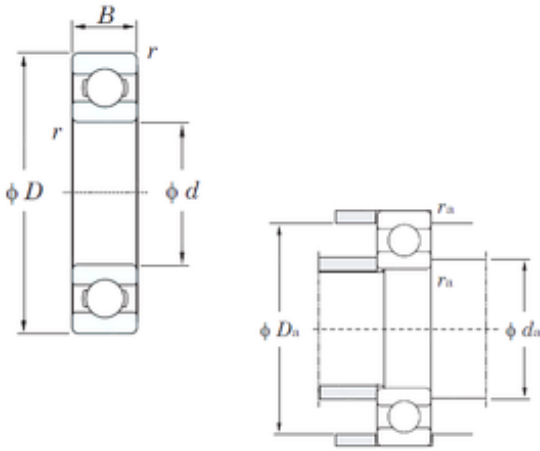




DRIVESHAFT ANDERSON, INC.



6205 Bearing 2D drawings and 3D CAD models

KOYO Auto parts 6205 2RS C3 deep groove ball bearing 6205-2RS Shielded/sealed type for transmission

Bearing No. 6205

| | |
|-------------------------------|--------------------------|
| Size | 25x52x15 mm |
| Bore Diameter | 25 mm |
| Outer Diameter | 52 mm |
| Width | 15 mm |
| d | 25 mm |
| D | 52 mm |
| B | 15 mm |
| C | 15 mm |
| r min. | 1 mm |
| da min. | 30 mm |
| Da max. | 47 mm |
| ra max. | 1 mm |
| Weight | 0,128 Kg |
| Basic dynamic load rating (C) | 14 kN |
| Basic static load rating (C0) | 7,85 kN |
| (Grease) Lubrication Speed | 13000 r/min |
| (Oil) Lubrication Speed | 15000 r/min |
| Category | Single Row Ball Bearings |
| Inventory | 0.0 |
| Manufacturer Name | KOYO |
| Minimum Buy Quantity | N/A |
| Weight / Kilogram | 0.142 |
| EAN | 0605790059476 |
| Product Group | B00308 |



DRIVESHAFT ANDERSON, INC.

| | |
|---------------------------------|---|
| Enclosure | Open |
| Precision Class | ABEC 1 ISO P0 |
| Maximum Capacity / Filling Slot | No |
| Rolling Element | Ball Bearing |
| Snap Ring | No |
| Internal Special Features | No |
| Cage Material | Steel |
| Internal Clearance | C0-Medium |
| Inch - Metric | Metric |
| Long Description | 25MM Bore; 52MM Outside Diameter; 15MM Outer Race Width; Open; Ball Bearing; ABEC 1 ISO P0; No Filling Slot; No Snap Ring; No Internal Special Features; C0-Medium Internal Clearance; Steel Cage |
| Other Features | Deep Groove |
| Category | Single Row Ball Bearing |
| UNSPSC | 31171504 |
| Harmonized Tariff Code | 8482.10.50.68 |
| Noun | Bearing |
| Keyword String | Ball |
| Manufacturer URL | http://www.koyousa.com |
| Weight / LBS | 0.28219 |
| Inner Race Width | 0 Inch 0 Millimeter |
| Outer Race Width | 0.591 Inch 15 Millimeter |
| Bore | 0.984 Inch 25 Millimeter |
| Outside Diameter | 2.047 Inch 52 Millimeter |
| Bearing No. | 6205 |
| r(min) | 1 |
| Cr | 17.5 |
| C0r | 7.85 |



DRIVESHAFT ANDERSON, INC.

| | |
|------------------|-------|
| Cu | 0.550 |
| f0 | 13.9 |
| Grease lub. | 13000 |
| Oil lub. | 15000 |
| da(min) | 30 |
| Da(max) | 47 |
| ra(max) | 1 |
| (Refer.)Mass(kg) | 0.128 |