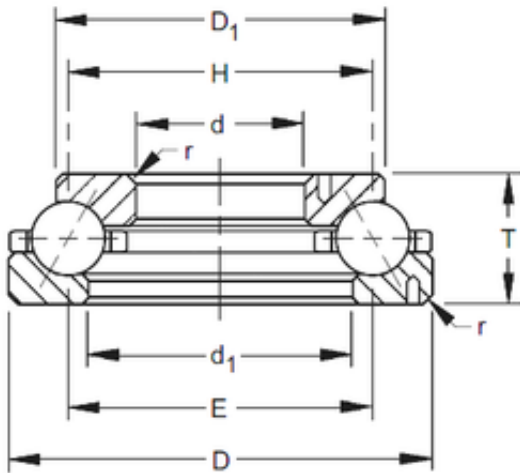




DRIVESHAFT ANDERSON, INC.



309TVL707 TIMKEN Tapered Roller Bearings Double-row

Bearing No. 309TVL707

Size	785.812x952.5x95.25 mm
Bore Diameter	785,812 mm
Outer Diameter	952,5 mm
Width	95,25 mm
d	785,812 mm
D	952,5 mm
T	95,25 mm
d1	857,25 mm
D1	882,65 mm
E	870 mm
H	870 mm

309TVL707 Bearing 2D drawings and 3D CAD models