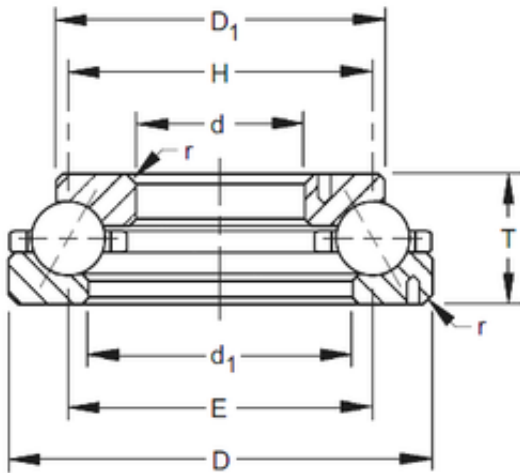




# DRIVESHAFT ANDERSON, INC.



## 238TVL304 TIMKEN Tapered Roller Bearings Double-row

Bearing No. 238TVL304

Size	606.425x847.725x133.35 mm
Bore Diameter	606,425 mm
Outer Diameter	847,725 mm
Width	133,35 mm
d	606,425 mm
D	847,725 mm
T	133,35 mm
d1	688,98 mm
D1	739,78 mm
E	727,1 mm
H	727,1 mm

238TVL304 Bearing 2D drawings and 3D CAD models