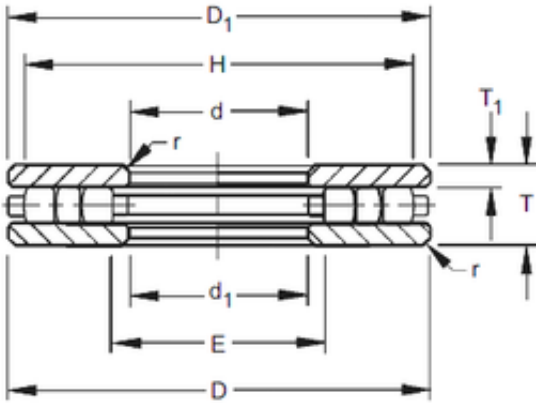




DRIVESHAFT ANDERSON, INC.

240TP177 TIMKEN Tapered Roller Bearings Double-row

Bearing No. 240TP177



240TP177 Bearing 2D drawings and 3D CAD models

| | |
|----------------|----------------------|
| Size | 609.6x812.8x139.7 mm |
| Bore Diameter | 609,6 mm |
| Outer Diameter | 812,8 mm |
| Width | 139,7 mm |
| d | 609,6 mm |
| D | 812,8 mm |
| T | 139,7 mm |
| r max | 9,5 mm |
| T1 | 38,1 mm |
| d1 | 612,8 mm |
| D1 | 809,6 mm |
| E | 631,8 mm |
| H | 790,6 mm |