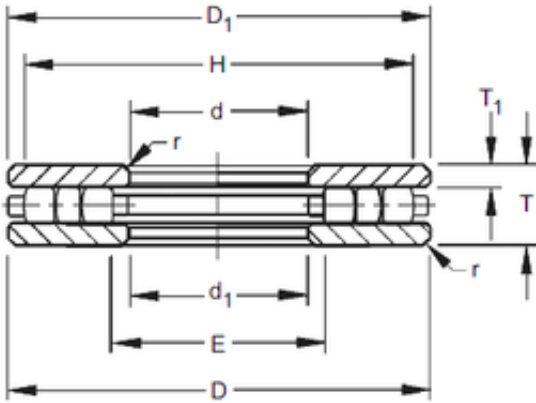




DRIVESHAFT ANDERSON, INC.

100TP144 TIMKEN Tapered Roller Bearings Double-row

Bearing No. 100TP144



100TP144 Bearing 2D drawings and 3D CAD models

Size	254x457.2x95.25 mm
Bore Diameter	254 mm
Outer Diameter	457,2 mm
Width	95,25 mm
d	254 mm
D	457,2 mm
T	95,25 mm
r max	6,4 mm
T1	26,19 mm
d1	256,38 mm
D1	454,82 mm
E	276,2 mm
H	435 mm